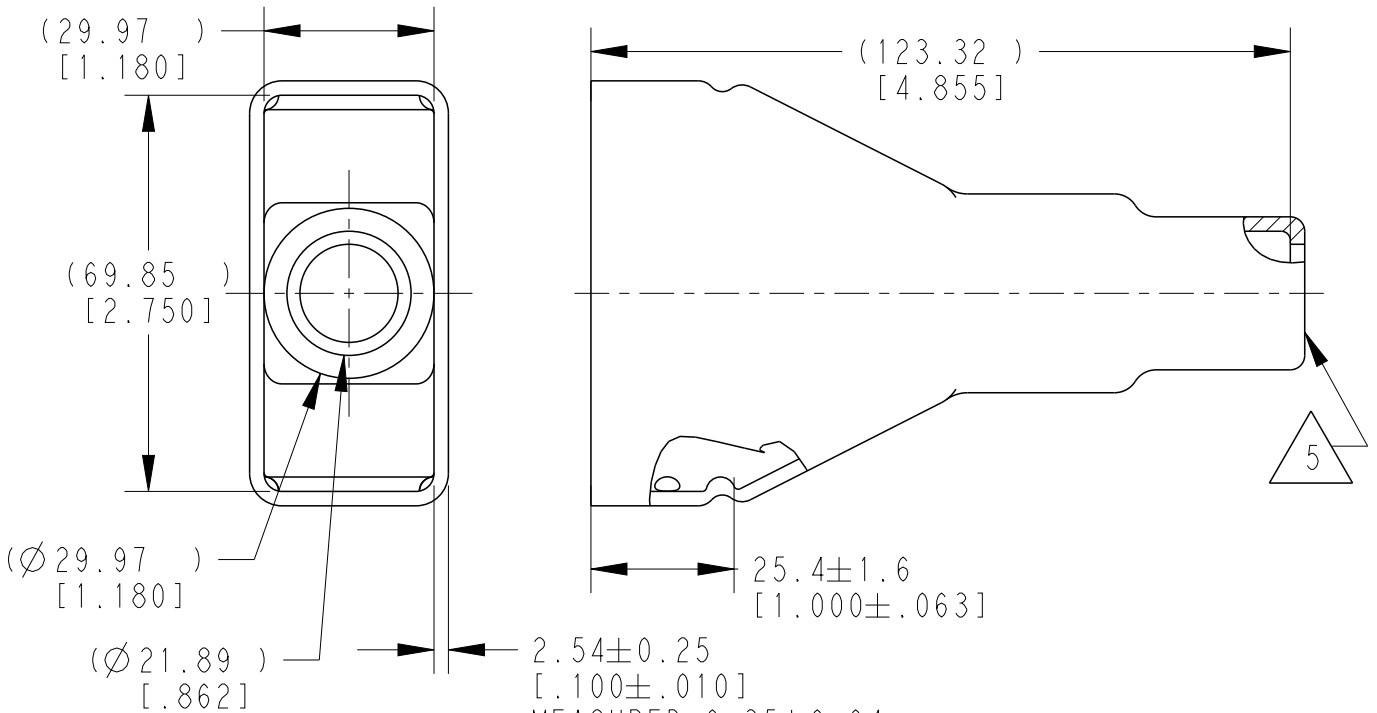


REVISIONS					
P	LTR	DESCRIPTION	DATE	DWN	APVD
	A3	REVISED PER PCN E-18-006791	03MAY2018	SM	DM
	A4	REVISED PER PCN E-19-014640	11OCT2019	JA	IG
	A5	REVISED PER PCN E-19-016916	30OCT2019	JA	IG
	A6	REVISED PER PCN E-20-004143	17MAR2020	AP	IG



6. SMALL NON-FILLS ARE ACCEPTABLE INSIDE OF PART, INCLUDING SUPPLIER MARKING.

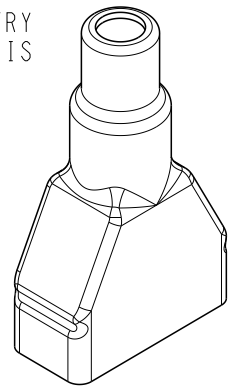
5. SMALL MATERIAL EXTENSION IS ACCEPTABLE ON THIS END ALL AROUND. WALL THICKNESS ON THIS END MAY VARY.

4. THIS ACCESSORY PART IS PROVIDED WITHOUT TYPICAL TRANSPORTATION INDUSTRY PROCESS CONTROLS. NO VALIDATION TESTING HAS BEEN PERFORMED. CUSTOMER IS RESPONSIBLE FOR DETERMINING PRODUCT PERFORMANCE AND SUITABILITY FOR APPLICATION.

3. BOTTOM OF PART MOLDED OPEN.

2. TEMPERATURE RATING: -29°C TO +100°C [-20°F TO +212°F]

1. THIS PART IS USED ON
 DRC12-40PX(E)-XXXX RECEPTACLE
 DRC14-40PX(E)-XXXX RECEPTACLE
 DRC16-40SX(E)-XXXX PLUG
 WHERE X=A,B,C,D KEYS AND XXXX=MODIFICATION



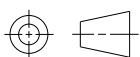
NOTES:

TE INTERNAL NUMBER	DEUTSCH PART NUMBER
DRC40-BT-YW	DRC40-BT-YW

DIMENSIONS:	
mm [INCH]	
TOLERANCES UNLESS OTHERWISE SPECIFIED:	
0 PLC	±
1 PLC	±
2 PLC	±0.63 [.025]
3 PLC	±
4 PLC	±
ANGLES	±5°

DWN	D. MEYER	01JUL2014
CHK	D. HASIBUAN	01JUL2014
APVD	D. MEYER	01JUL2014
PRODUCT SPEC		
APPLICATION SPEC		

MATERIAL	PVC	FINISH	YELLOW
TE TE Connectivity			
NAME BOOT, 40 PIN DRC SERIES			
SIZE	A 4	CAGE CODE	4AFU8
DRAWING NO	C=DRC40-BT-YW		RESTRICTED TO
WEIGHT	48.80g		-



CUSTOMER DRAWING	SCALE	3:4	SHEET	1 OF 1	REV	A6
------------------	-------	-----	-------	--------	-----	----

2019

RELEASED FOR PUBLICATION

THIS DRAWING IS UNPUBLISHED.

ALL RIGHTS RESERVED.

BY TE CONNECTIVITY

© COPYRIGHT 2014