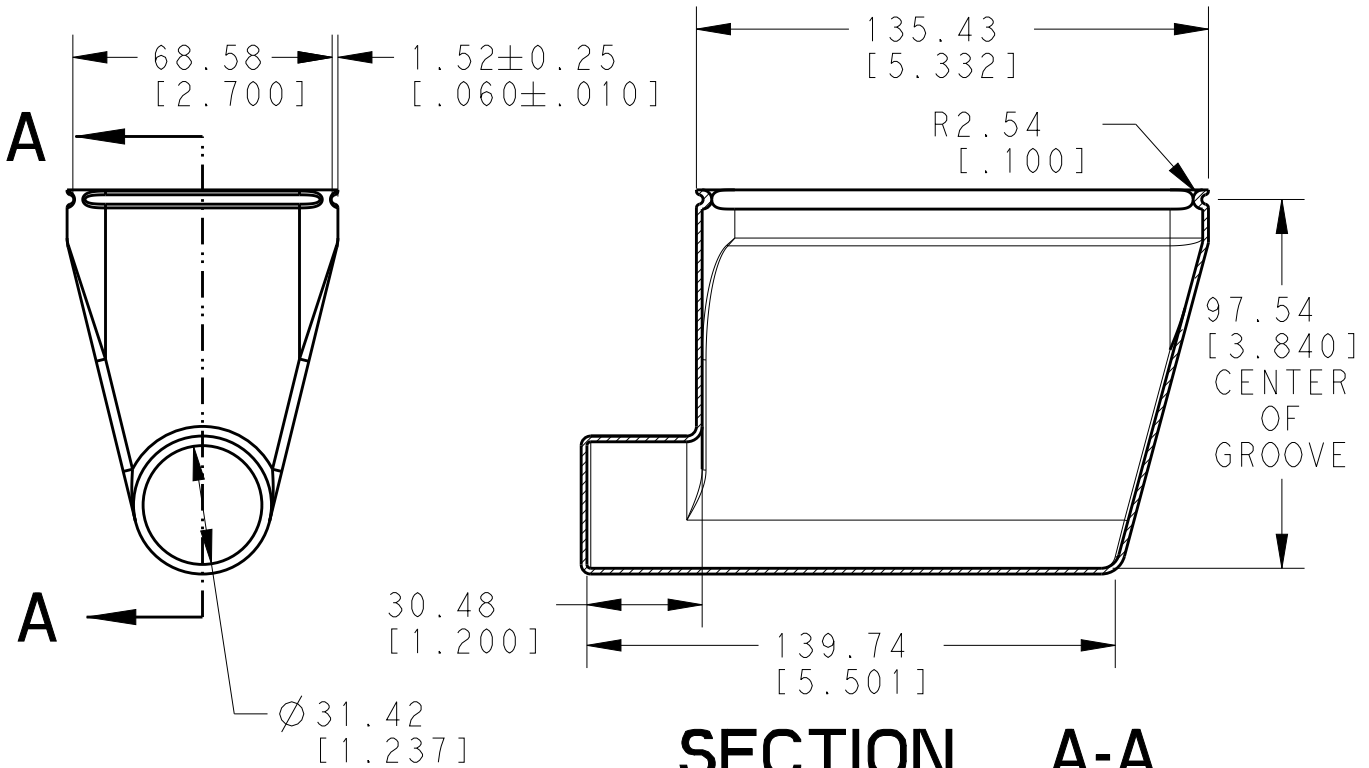


REVISIONS					
P	LTR	DESCRIPTION	DATE	DWN	APVD
	A	NEW RELEASE PER ECO-14-009834	28JUN2014	DM	DM
	A1	REVISED PER PCN E-18-005300	29MAR2018	SM	DM



SECTION A-A

3. THIS ACCESSORY PART IS PROVIDED WITHOUT TYPICAL TRANSPORTATION INDUSTRY PROCESS CONTROLS. NO VALIDATION TESTING HAS BEEN PERFORMED. CUSTOMER IS RESPONSIBLE FOR DETERMINING PRODUCT PERFORMANCE AND SUITABILITY FOR APPLICATION.

2. TEMPERATURE RATING: -29°C TO +100°C [-20°F TO +212°F]

1. THIS PART IS USED ON
 DRB12-102PX(N)E-XXXX RECEPTACLE
 DRB16-102SXE-XXXX PLUG
 DRB12-128PX(N)E-XXXX RECEPTACLE
 DRB16-128SXE-XXXX PLUG
 WHERE X=A,B,C,D KEYS AND XXXX=MODIFICATION

TE INTERNAL PN	DEUTSCH PN
DRB102-BT-90DEG	DRB102-BT-90DEG

2014
 RELEASED FOR PUBLICATION
 ALL RIGHTS RESERVED.
 COPYRIGHT 2014 BY TE CONNECTIVITY
 THIS DRAWING IS UNPUBLISHED.

DIMENSIONS: MM[INCH]	DWN D.MEYER	28JUN2014	MATERIAL	PVC	FINISH	BLACK
	CHK P. CARNAHAN	28JUN2014	TE Connectivity			
TOLERANCES UNLESS OTHERWISE SPECIFIED:	APVD D.MEYER	28JUN2014				
0 PLC ±	PRODUCT SPEC		SIZE	CAGE CODE	DRAWING NO	RESTRICTED TO
1 PLC ±	APPLICATION SPEC		A 4	4AFU8	©-DRB102-BT-90DEG	
2 PLC ±0.63[.025]			WEIGHT	104.00 G	CUSTOMER DRAWING	SCALE NONE
3 PLC ±						SHEET 1 OF 1
4 PLC ±						REV A1
ANGLES ±5°						