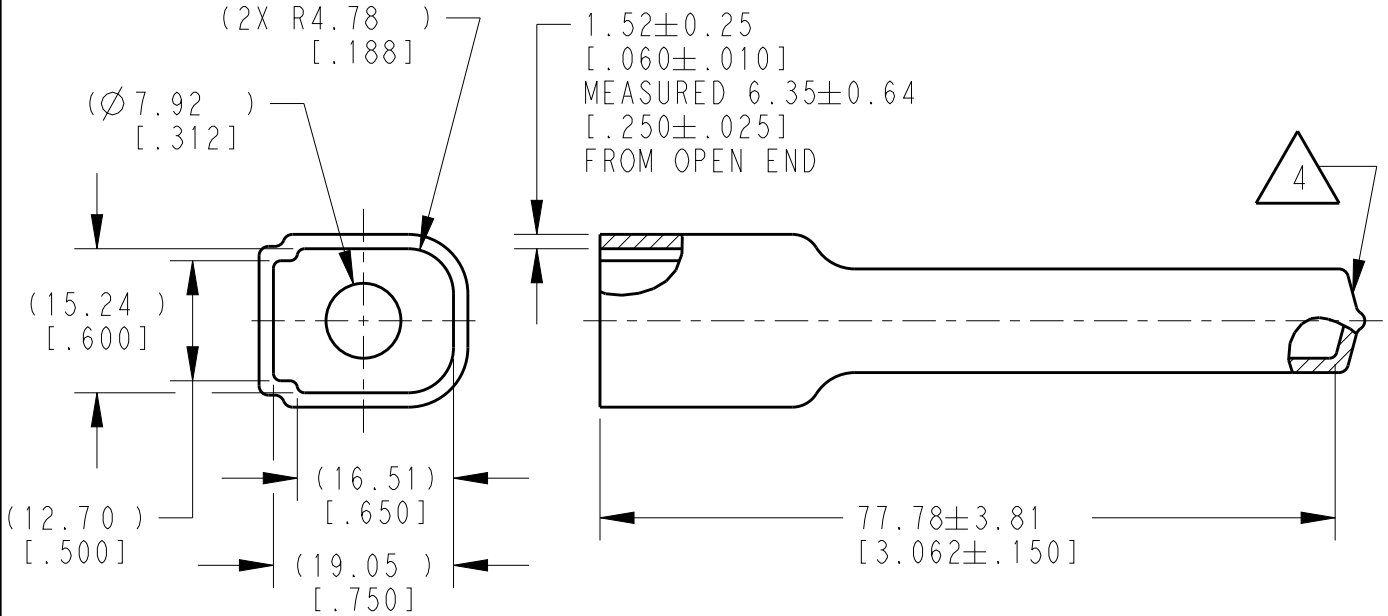


SCALE 3:4

LOC	DIST	REVISIONS					
		P	LTR	DESCRIPTION	DATE	DWN	APVD
-	-		A	NEW RELEASE PER ECO-14-010243	07JUL2014	DM	DM
			A1	REVISED PER PCN E-19-014643	31OCT2019	JA	IG



- 4 SMALL MATERIAL EXTENSION IS ACCEPTABLE ON THIS END ALL AROUND.
3. THIS ACCESSORY PART IS PROVIDED WITHOUT TYPICAL TRANSPORTATION INDUSTRY PROCESS CONTROLS. NO VALIDATION TESTING HAS BEEN PERFORMED. CUSTOMER IS RESPONSIBLE FOR DETERMINING PRODUCT PERFORMANCE AND SUITABILITY FOR APPLICATION.
  2. TEMPERATURE RATING: -29°C TO +100°C [-20°F TO +212°F].
  1. THIS PART IS USED ON DTM04-6P RECEPTACLES WITH ANY MODIFICATION THAT DOES NOT INCLUDE AN END CAP.

NOTES:

TE INTERNAL PN	DEUTSCH PN
DTM6P-BT	DTM6P-BT

2019 RELEASED FOR PUBLICATION  
 THIS DRAWING IS UNPUBLISHED.  
 © COPYRIGHT 2014  
 TE Connectivity. All Rights Reserved.

DIMENSIONS: mm [INCHES]	DWN	07JUL2014	MATERIAL	PVC	FINISH	GRAY
	CHK	07JUL2014	TE Connectivity			
TOLERANCES UNLESS OTHERWISE SPECIFIED:		B. MILLIGAN				
0 PLC ± 1 PLC ± 2 PLC ± 3 PLC ±0.64 [.025] 4 PLC ± ANGLES ±5°	APVD	07JUL2014	NAME BOOT, RECEPTACLE, 6PIN DTM SERIES			
	PRODUCT SPEC					
APPLICATION SPEC			SIZE	CAGE CODE	DRAWING NO	RESTRICTED TO
WEIGHT 5.86g			A 4	4AFU8	©-DTM6P-BT	-
CUSTOMER DRAWING				SCALE	SHEET	REV
				5:4	1 OF 1	A1