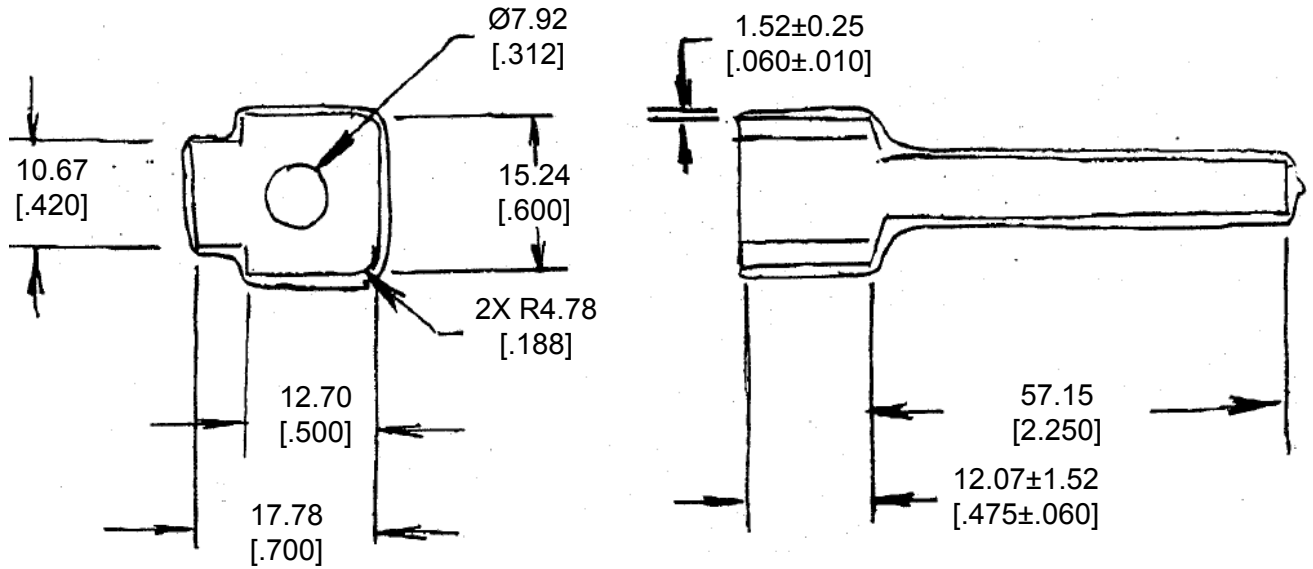


REVISIONS					
P	LTR	DESCRIPTION	DATE	DWN	APVD
	A	NEW RELEASE PER ECO-14-010242	07-07-14	DM	DM



2014


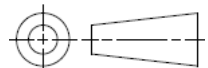
RELEASED FOR PUBLICATION

THIS DRAWING IS UNPUBLISHED.

ALL RIGHTS RESERVED.

© COPYRIGHT 2014 BY TE CONNECTIVITY

3. PART NO. DTM4S-BT
2. TEMPERATURE RATING: -29°C TO +100°C [-20°F TO +212°F]
1. THIS PART IS USED ON DTM06-4S PLUG WITH ANY MODIFICATION THAT DOES NOT INCLUDE AN END CAP.

DIMENSIONS: <b>MM [INCH]</b>	DWN	D. MEYER 07JUL2014	MATERIAL	PVC	FINISH	GRAY	
	CHK	B. MILLIGAN 07JUL2014	 TE Connectivity				
TOLERANCES UNLESS OTHERWISE SPECIFIED:	APVD	D. MEYER 07JUL2014					
0 PLC ±	PRODUCT SPEC	NAME <b>BOOT, PLUG, 4PIN DTM SERIES</b>					
1 PLC ±	APPLICATION SPEC						
2 PLC ± 0.63 [.025]	SIZE	A 4	CAGE CODE	4AFU8	DRAWING NO	C - DTM4S-BT	
3 PLC ±	WEIGHT	6.00 g	RESTRICTED TO				
4 PLC ±	Customer Drawing						
ANGLES ± 5°	SCALE		NONE	SHEET		1 OF 1	
						REV	A