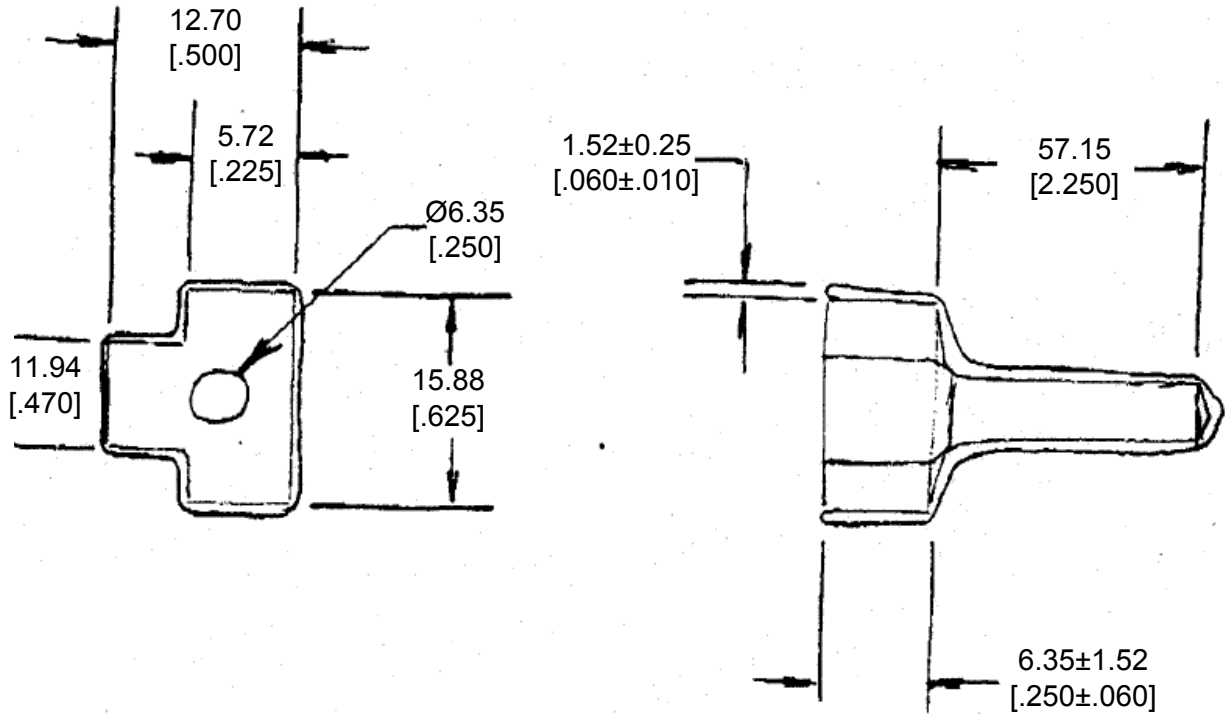


REVISIONS

P	LTR	DESCRIPTION	DATE	DWN	APVD
	A	NEW RELEASE PER ECO-14-010241	07-07-14	DM	DM



2014


RELEASED FOR PUBLICATION

THIS DRAWING IS UNPUBLISHED.

ALL RIGHTS RESERVED.

© COPYRIGHT 2014 BY TE CONNECTIVITY

3. PART NO. DTM3S-BT-BK
2. TEMPERATURE RATING: -29°C TO +100°C [-20°F TO +212°F]
1. THIS PART IS USED ON DTM06-3S PLUG WITH ANY MODIFICATION THAT DOES NOT INCLUDE AN END CAP.

DIMENSIONS: MM [INCH]	DWN	D. MEYER 07JUL2014	MATERIAL	PVC	FINISH	BLACK
	CHK	B. MILLIGAN 07JUL2014				
TOLERANCES UNLESS OTHERWISE SPECIFIED:	APVD	D. MEYER 07JUL2014				
0 PLC ±	PRODUCT SPEC	NAME				BOOT, PLUG, 3PIN
1 PLC ±	APPLICATION SPEC	DTM SERIES				
2 PLC ± 0.63 [.025]		SIZE	CAGE CODE	DRAWING NO	RESTRICTED TO	
3 PLC ±	WEIGHT	A 4	4AFU8	C = DTM3S-BT-BK	-	
4 PLC ±		Customer Drawing				
ANGLES ± 5°	SCALE				NONE	
SHEET					1 OF 1	
REV					A	