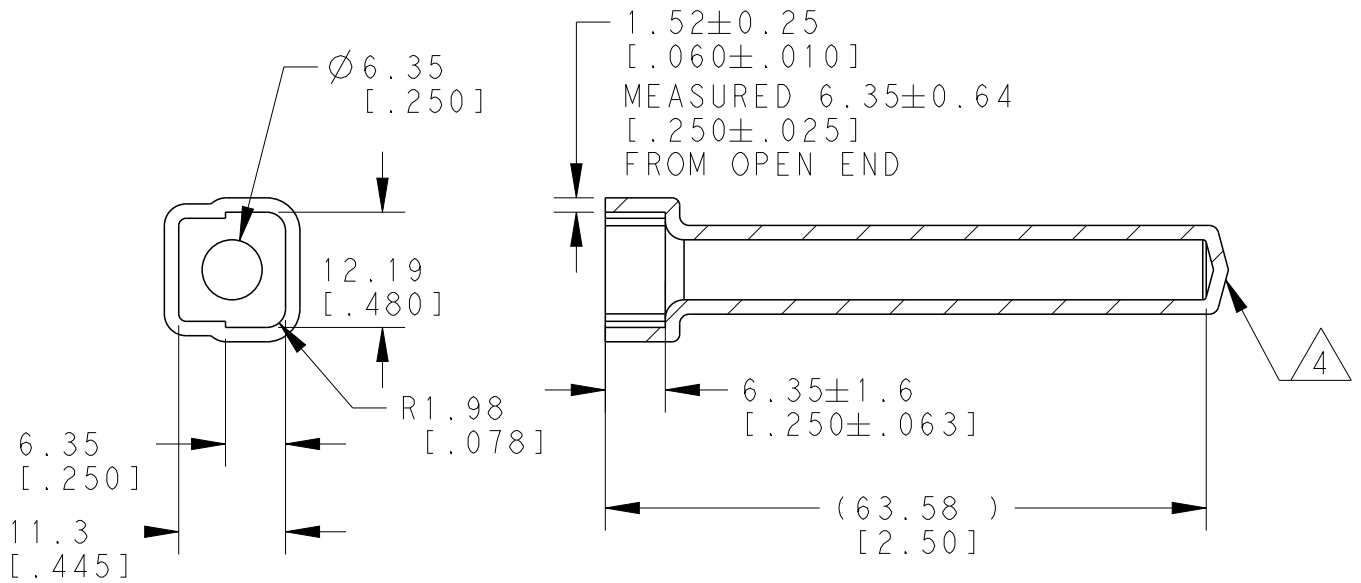
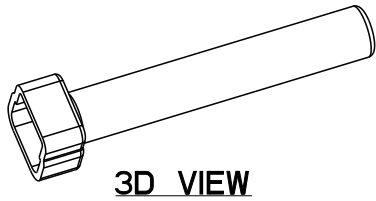


REVISIONS					
P	LTR	DESCRIPTION	DATE	DWN	APVD
	A	NEW RELEASE PER ECO-14-010240	07-07-14	DM	DM
	A1	REVISED PER PCN-20-003720	10MAR2020	AP	IG



5. SMALL NON-FILLS ARE ACCEPTABLE INSIDE OF PART, INCLUDING SUPPLIER MARKING.
4. SMALL MATERIAL EXTENSION IS ACCEPTABLE ON THIS END ALL AROUND. WALL THICKNESS ON THIS END MAY VARY.
3. THIS ACCESSORY PART IS PROVIDED WITHOUT TYPICAL TRANSPORTATION INDUSTRY PROCESS CONTROLS. NO VALIDATION TESTING HAS BEEN PERFORMED. CUSTOMER IS RESPONSIBLE FOR DETERMINING PRODUCT PERFORMANCE AND SUITABILITY FOR APPLICATION.
2. TEMPERATURE RATING: -29°C TO $+100^{\circ}\text{C}$ [-20°F TO $+212^{\circ}\text{F}$]
1. THIS PART IS USED ON DTM06-2S PLUG WITH ANY MODIFICATION THAT DOES NOT INCLUDE AN END CAP.

TE INTERNAL PN	DEUTSCH PN
DTM2S-BT	DTM2S-BT

2019
 RELEASED FOR PUBLICATION
 ALL RIGHTS RESERVED.
 BY TE CONNECTIVITY
 COPYRIGHT 2019
 THIS DRAWING IS UNPUBLISHED.

DIMENSIONS: MM [INCHES]	DWN D. MEYER	07JUL2014	MATERIAL	PVC	FINISH	GRAY
	CHK B. MILLIGAN	07JUL2014	TE Connectivity			
TOLERANCES UNLESS OTHERWISE SPECIFIED:	APVD D. MEYER	07JUL2014				
0 PLC ±	PRODUCT SPEC	-	SIZE	CAGE CODE	DRAWING NO	RESTRICTED TO
1 PLC ±	APPLICATION SPEC	-	A 4	4AFU8	©-DTM2S-BT	-
2 PLC ±0.63[.025]	WEIGHT	4.00 g	CUSTOMER DRAWING			
3 PLC ±			SCALE	5:4	SHEET	1 OF 1
4 PLC ±			REV A1			
ANGLES ±5°						