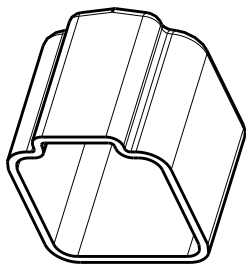
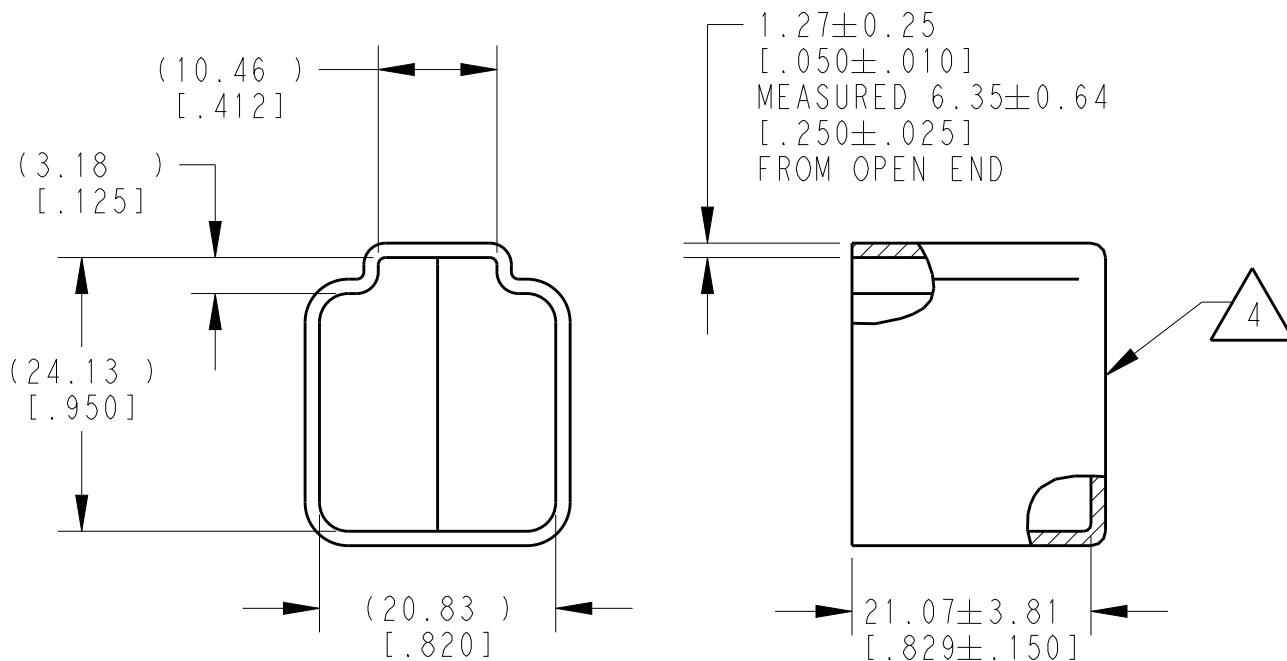


REVISIONS

P	LTR	DESCRIPTION	DATE	DWN	APVD
	A	NEW RELEASE PER ECO-14-008762	17JUN2014	DM	DM
	A1	REVISED PER PCN E-19-014642	16OCT2019	JA	IG



SCALE 1:1



- 4 SMALL MATERIAL EXTENSION IS ACCEPTABLE ON THIS END ALL AROUND.
3. THIS ACCESSORY PART IS PROVIDED WITHOUT TYPICAL TRANSPORTAION INDUSTRY PROCESS CONTROLS. NO VALIDATION TESTING HAS BEEN PERFORMED. CUSTOMER IS RESPONSIBLE FOR DETERMINING PRODUCT PERFORMANCE AND SUITABILITY FOR APPLICATION.
2. TEMPERATURE RATING: -29°C TO +100°C [-20°F TO +212°F].
1. THIS PART IS USED ON DT04-6P RECEPTACLE WITH ANY MODIFICATION.

NOTES:

TE INTERNAL PN	DEUTSCH PN
DT6P-DC	DT6P-DC

2019 RELEASED FOR PUBLICATION ALL RIGHTS RESERVED. BY TE CONNECTIVITY

DIMENSIONS:	
MM [INCH]	
TOLERANCES UNLESS OTHERWISE SPECIFIED:	
0 PLC	±
1 PLC	±
2 PLC	±0.63 [.025]
3 PLC	±
4 PLC	±
ANGLES	±5°

DWN	17JUN2014
D. MEYER	
CHK	17JUN2014
R. MESSENGER	
APVD	17JUN2014
D. MEYER	
PRODUCT SPEC	
APPLICATION SPEC	
WEIGHT	3.00g
CUSTOMER DRAWING	

MATERIAL	PVC	FINISH	GRAY
TE TE Connectivity			
NAME DUST CAP, RECEPTACLE, 6PIN DT SERIES			
SIZE	CAGE CODE	DRAWING NO	RESTRICTED TO
A4	4AFU8	©-DT6P-DC	-
SCALE 3:2		SHEET 1 OF 1	REV A1