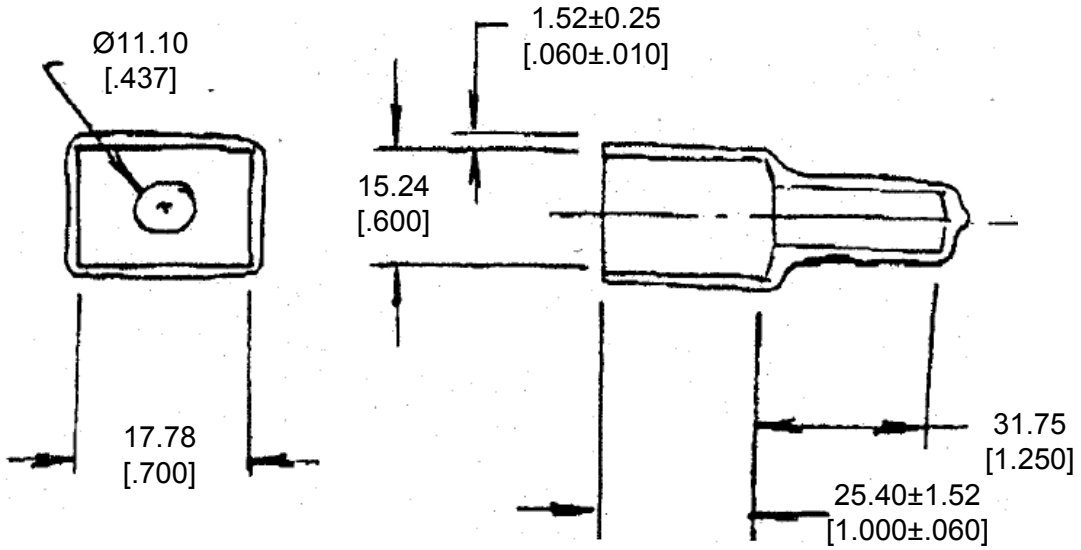


REVISIONS					
P	LTR	DESCRIPTION	DATE	DWN	APVD
	A	NEW RELEASE PER ECO-14-008761	06-10-14	DM	DM



3. PART NO. DT4P-BT-YW

2. TEMPERATURE RATING: -29°C TO +100°C [-20°F TO +212°F]

1. THIS PART IS USED ON DT04-4P RECEPTACLES WITH ANY MODIFICATION THAT DOES NOT INCLUDE AN END CAP.

2014

RELEASED FOR PUBLICATION

THIS DRAWING IS UNPUBLISHED.

ALL RIGHTS RESERVED.

© COPYRIGHT 2014 BY TE CONNECTIVITY

DIMENSIONS: MM [INCH]	DWN	D. MEYER 10JUN2014	MATERIAL	PVC	FINISH	YELLOW	
	CHK	R. MESSENGER 10JUN2014					
TOLERANCES UNLESS OTHERWISE SPECIFIED:	APVD	D. MEYER 10JUN2014					
0 PLC ±	PRODUCT SPEC	NAME				BOOT, RECEPTACLE, 4PIN DT SERIES	
1 PLC ±	APPLICATION SPEC	SIZE	CAGE CODE	DRAWING NO	RESTRICTED TO		
2 PLC ± 0.63 [025]		A 4	4AFU8	C - DT4P-BT-YW	-		
3 PLC ±		WEIGHT				6.60 g	
4 PLC ±		Customer Drawing				SCALE	NONE
ANGLES ± 5°		SHEET				1 OF 1	REV
						A	