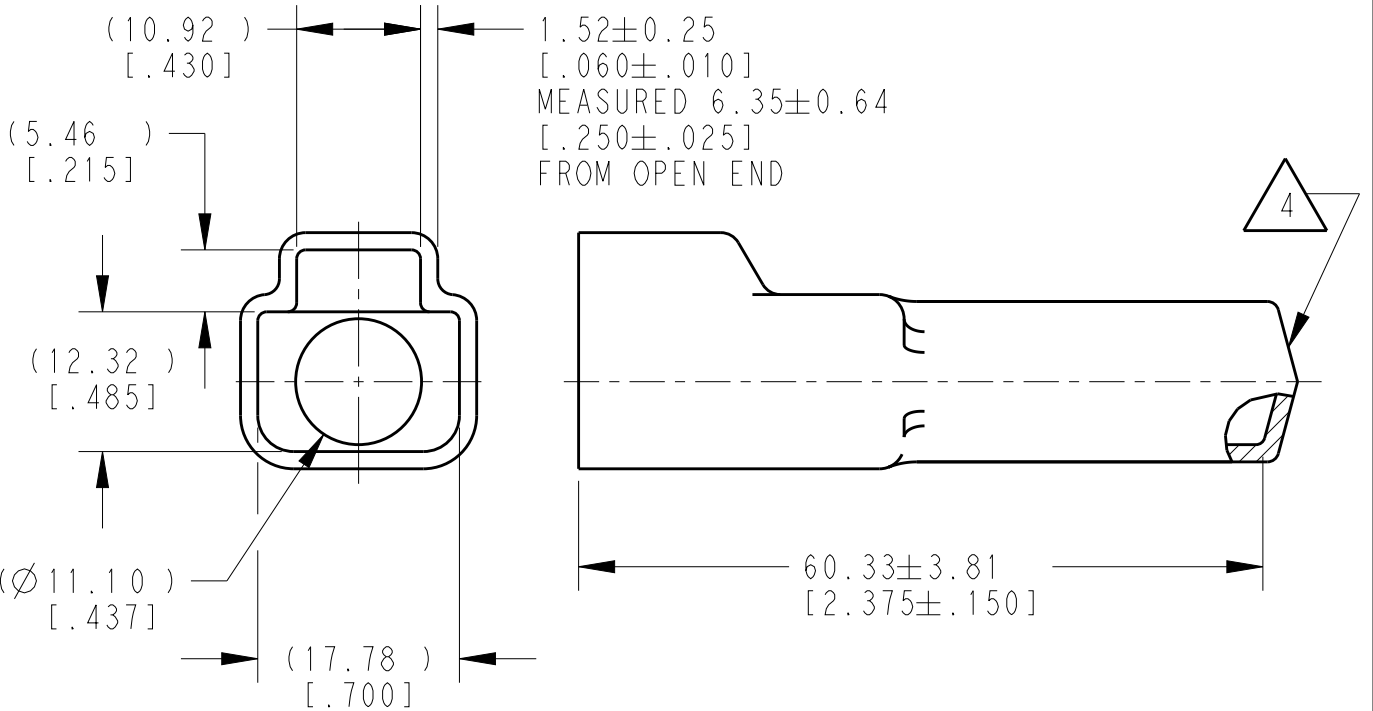


SCALE 1:2

REVISIONS

P	LTR	DESCRIPTION	DATE	DWN	APVD
	A	NEW RELEASE PER ECO-14-008761	10JUN2014	DM	DM
	A1	REVISED PER PCN E-19-014642	16OCT2019	JA	IG



- 4 SMALL MATERIAL EXTENSION IS ACCEPTABLE ON THIS END ALL AROUND.
3. THIS ACCESSORY PART IS PROVIDED WITHOUT TYPICAL TRANSPORTATION INDUSTRY PROCESS CONTROLS. NO VALIDATION TESTING HAS BEEN PERFORMED. CUSTOMER IS RESPONSIBLE FOR DETERMINING PRODUCT PERFORMANCE AND SUITABILITY FOR APPLICATION.
2. TEMPERATURE RATING: -29°C TO +100°C [-20°F TO +212°F].
1. THIS PART IS USED ON DT06-4S PLUG WITH ANY MODIFICATION THAT DOES NOT INCLUDE AN END CAP.

NOTES:

TE INTERNAL PN	DEUTSCH PN
DT4S-BT-YW	DT4S-BT-YW

THIS DRAWING IS UNPUBLISHED. ALL RIGHTS RESERVED. BY TE CONNECTIVITY. COPYRIGHT 2014

DIMENSIONS:	
MM [INCH]	
TOLERANCES UNLESS OTHERWISE SPECIFIED:	
0 PLC	±
1 PLC	±
2 PLC	±0.63 [.025]
3 PLC	±
4 PLC	±
ANGLES	±5°

DWN	10JUN2014
D. MEYER	
CHK	10JUN2014
R. MESSENGER	
APVD	10JUN2014
D. MEYER	
PRODUCT SPEC	
APPLICATION SPEC	
WEIGHT	5.22g
CUSTOMER DRAWING	

MATERIAL	PVC	FINISH	YELLOW
TE TE Connectivity			
NAME: BOOT, PLUG, 4 PIN DT SERIES			
SIZE	CAGE CODE	DRAWING NO	RESTRICTED TO
A4	4AFU8	DT4S-BT-YW	-
SCALE		SHEET	REV
3:2		1 OF 1	A1