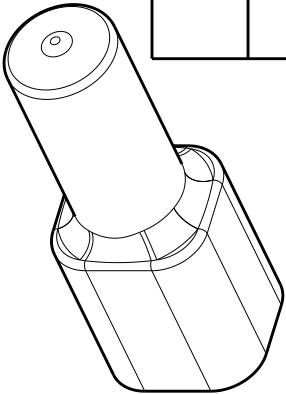
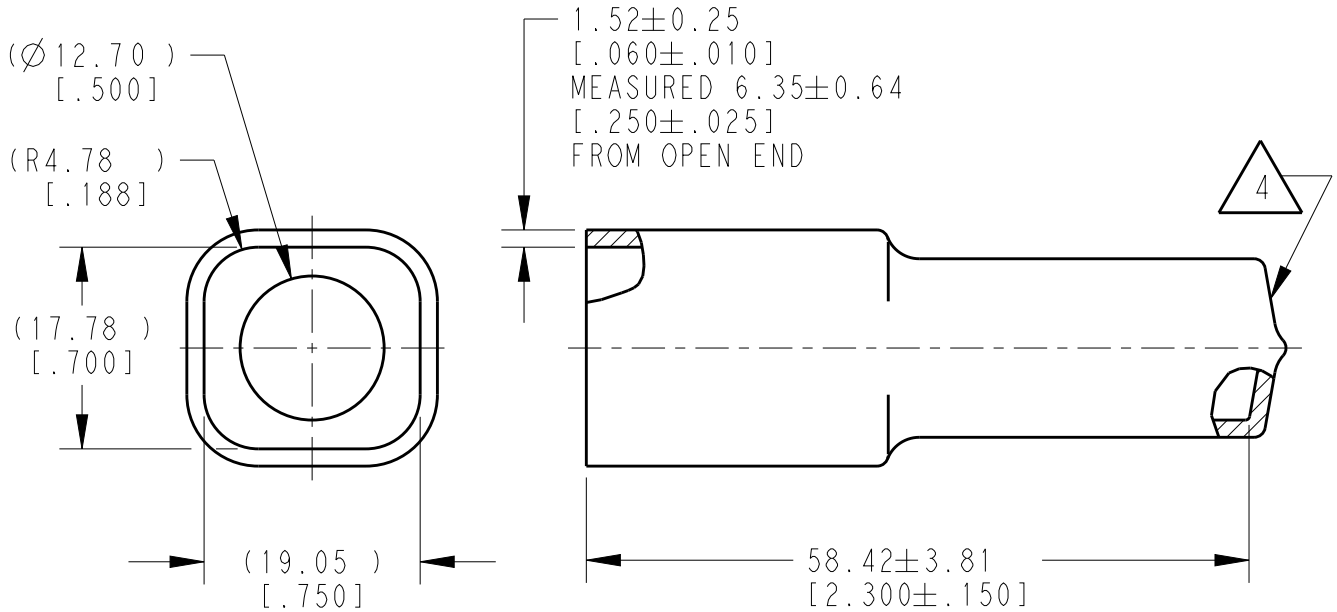


2019 RELEASED FOR PUBLICATION THIS DRAWING IS UNPUBLISHED. COPYRIGHT 2014 TE Connectivity. All Rights Reserved.

LOC		DIST		REVISIONS			
P	LTR	DESCRIPTION		DATE	DWN	APVD	
	A	NEW RELEASE PER ECO-14-008762		17JUL2014	DM	DM	
	A1	REVISED PER PCN E-19-014645		01NOV2019	JA	IG	



SCALE 1:1



4 SMALL MATERIAL EXTENSION IS ACCEPTABLE ON THIS END ALL AROUND.

3. THIS ACCESSORY PART IS PROVIDED WITHOUT TYPICAL TRANSPORTATION INDUSTRY PROCESS CONTROLS. NO VALIDATION TESTING HAS BEEN PERFORMED. CUSTOMER IS RESPONSIBLE FOR DETERMINING PRODUCT PERFORMANCE AND SUITABILITY FOR APPLICATION.

2. TEMPERATURE RATING: -29°C TO +100°C [-20°F TO +212°F].

1. THIS PART IS USED ON DT04-6P RECEPTACLES WITH ANY MODIFICATION THAT DOES NOT INCLUDE AN END CAP.

NOTES:

TE INTERNAL PN	DEUTSCH PN
DT6P-BT	DT6P-BT

DIMENSIONS: mm [INCHES]	DWN D.MEYER	17JUN2014	MATERIAL	PVC	FINISH	GRAY
	CHK R.MESSENGER	17JUN2014	TE Connectivity			
TOLERANCES UNLESS OTHERWISE SPECIFIED:	APVD D.MEYER	17JUN2014				
0 PLC ±	PRODUCT SPEC		SIZE	CAGE CODE	DRAWING NO	RESTRICTED TO
1 PLC ±	APPLICATION SPEC		A 4	4AFU8	©-DT6P-BT	-
2 PLC ±			WEIGHT	5.74g		
3 PLC ±0.64 [.025]			CUSTOMER DRAWING	SCALE	3:2	SHEET 1 OF 1
4 PLC ±						REV A1
ANGLES ±5°						