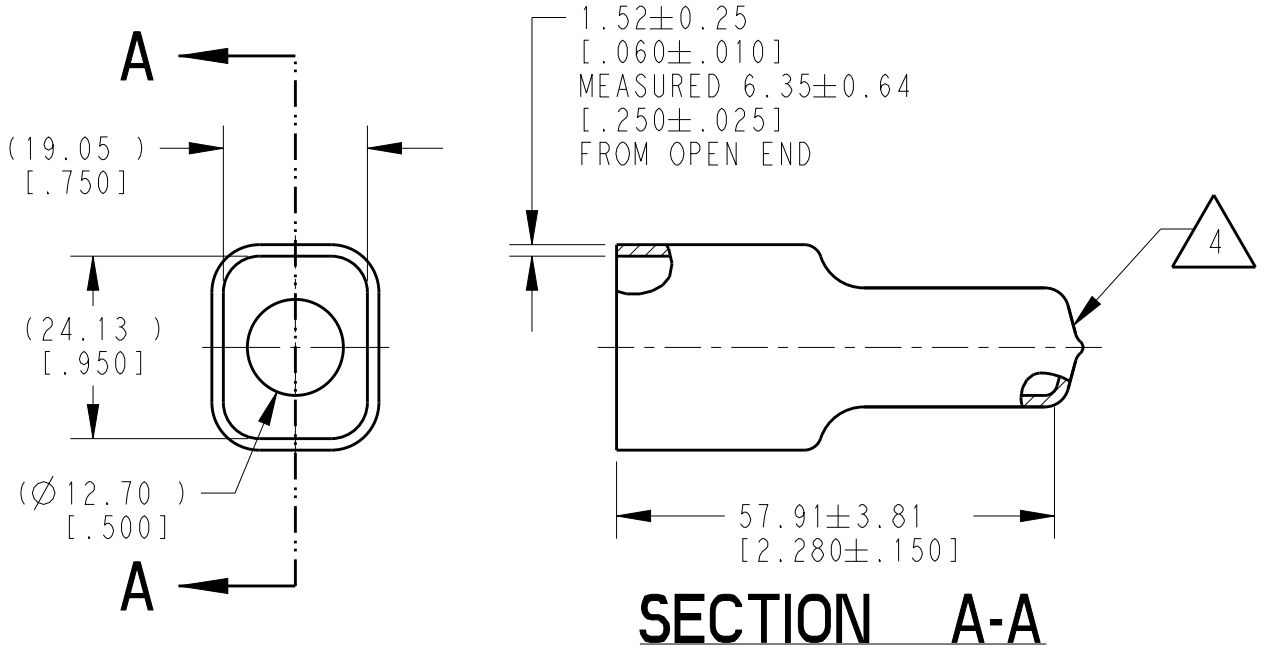


SCALE 1:2

REVISIONS					
P	LTR	DESCRIPTION	DATE	DWN	APVD
	A	NEW RELEASE PER ECO-14-008763	20JUN2014	DM	DM
	A1	REVISED PER PCN E-19-009112	10JUN2019	JA	IG
	A2	REVISED PER PCN E-19-014641	16OCT2019	JA	IG



SECTION A-A

4 SMALL MATERIAL EXTENSION IS ACCEPTABLE ON THIS END ALL AROUND.

3. THIS ACCESSORY PART IS PROVIDED WITHOUT TYPICAL TRANSPORTATION INDUSTRY PROCESS CONTROLS. NO VALIDATION TESTING HAS BEEN PERFORMED. CUSTOMER IS RESPONSIBLE FOR DETERMINING PRODUCT PERFORMANCE AND SUITABILITY FOR APPLICATION.

2. TEMPERATURE RATING: -29°C TO +100°C [-20°F TO +212°F].

1. THIS PART IS USED ON DT04-08PX (X=A,B,C,D KEYS) RECEPTACLES WITH ANY MODIFICATION THAT DOES NOT INCLUDE AN END CAP.

NOTES:

TE INTERNAL PN	DEUTSCH PN
DT8P-BT	DT8P-BT

2019 RELEASED FOR PUBLICATION ALL RIGHTS RESERVED. THIS DRAWING IS UNPUBLISHED. BY TE CONNECTIVITY © COPYRIGHT 2014

DIMENSIONS: MM [INCH]	DWN D.MEYER	20JUN2014	MATERIAL PVC	FINISH GRAY	
	CHK R.MESSENGER	20JUN2014	TE Connectivity		
TOLERANCES UNLESS OTHERWISE SPECIFIED: 0 PLC ± 1 PLC ± 2 PLC ±0.63 [.025] 3 PLC ± 4 PLC ± ANGLES ±5°	APVD D.MEYER	20JUN2014			NAME BOOT, RECEPTACLE, 8PIN DT SERIES
	PRODUCT SPEC	APPLICATION SPEC	SIZE A4	CAGE CODE 4AFU8	DRAWING NO C=DT8P-BT
WEIGHT 6.16 g			CUSTOMER DRAWING		
SCALE 1:1			SHEET 1 OF 1		REV A2