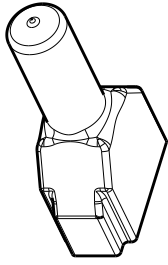
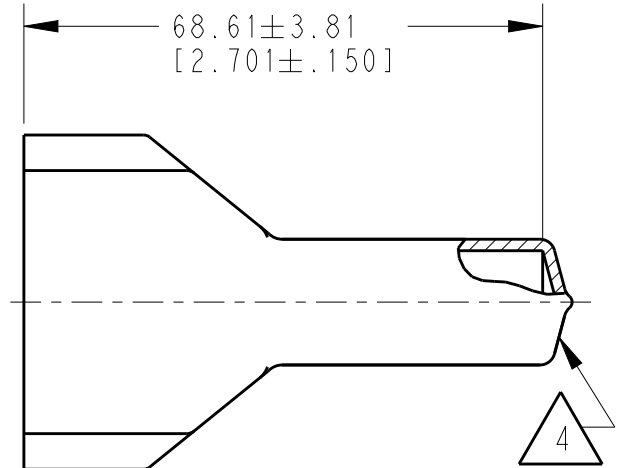
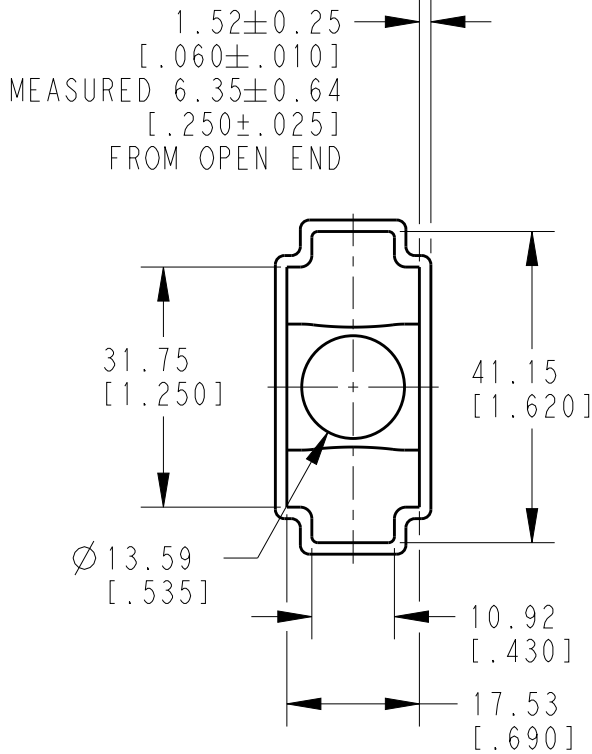


REVISIONS

P	LTR	DESCRIPTION	DATE	DWN	APVD
	A	NEW RELEASE PER ECO-14-008764	27JUN2014	DM	DM
	A1	REVISED PER PCN E-18-020078	28DEC2018	JA	DM
	A2	REVISED PER PCN E-19-009195	11JUN2019	JA	IG



SCALE 1:2



- 4 SMALL MATERIAL EXTENSION IS ACCEPTABLE ON THIS END ALL AROUND.
3. THIS ACCESSORY PART IS PROVIDED WITHOUT TYPICAL TRANSPORTATION INDUSTRY PROCESS CONTROLS. NO VALIDATION TESTING HAS BEEN PERFORMED. CUSTOMER IS RESPONSIBLE FOR DETERMINING PRODUCT PERFORMANCE AND SUITABILITY FOR APPLICATION.
2. TEMPERATURE RATING: -29°C TO +100°C [-20°F TO +212°F].
1. THIS PART IS USED ON DT06-12SX (X=A,B,C,D KEYS) PLUG WITH ANY MODIFICATION THAT DOES NOT INCLUDE AN END CAP.

NOTES:

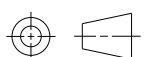
TE INTERNAL PN	DEUTSCH PN
DT12S-BT-YW	DT12S-BT-YW

2018 RELEASED FOR PUBLICATION ALL RIGHTS RESERVED. THIS DRAWING IS UNPUBLISHED. BY TE CONNECTIVITY © COPYRIGHT 2014

DIMENSIONS:	
mm	[INCHES]
TOLERANCES UNLESS OTHERWISE SPECIFIED:	
0 PLC	±
1 PLC	±
2 PLC	±
3 PLC	±0.63 [.025]
4 PLC	±
ANGLES	±0° 30' 0"

DWN	D.MEYER	27JUN2014
CHK	R.MESSENGER	27JUN2014
APVD	D.MEYER	27JUN2014
PRODUCT SPEC		
APPLICATION SPEC		

MATERIAL	PVC	FINISH	YELLOW
<b>TE</b> TE Connectivity			
NAME BOOT, PLUG, 12 PIN DT SERIES			
SIZE	A 4	CAGE CODE	4AFU8
DRAWING NO	G=DT12S-BT-YW		RESTRICTED TO
WEIGHT	9.22 g		-



CUSTOMER DRAWING	SCALE	1:1	SHEET	1 OF 1	REV	A2
------------------	-------	-----	-------	--------	-----	----