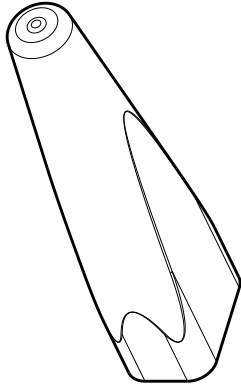
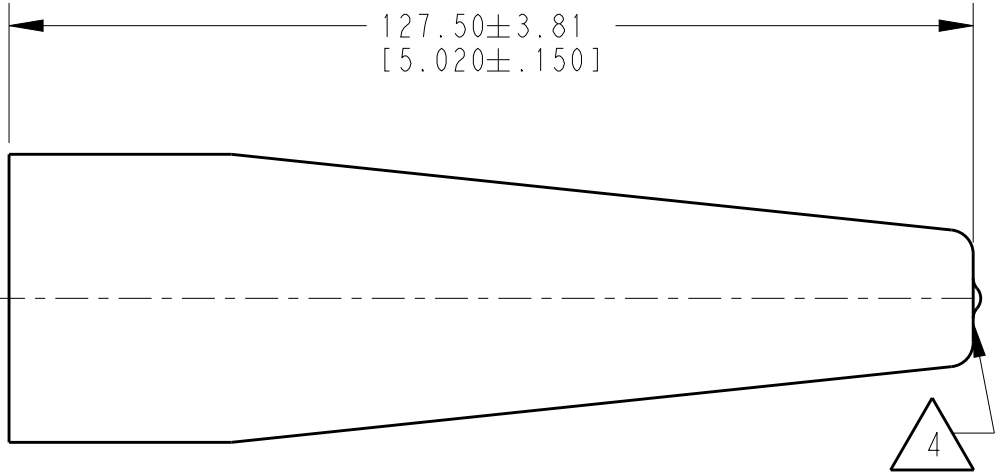
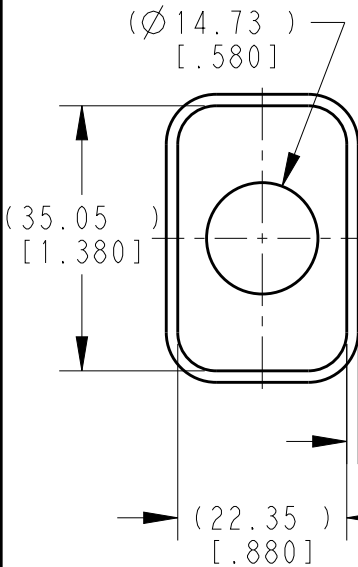


REVISIONS

P	LTR	DESCRIPTION	DATE	DWN	APVD
	A	NEW RELEASE PER ECO-14-008764	27JUN2014	DM	DM
	A1	REVISED PER PCN E-18-020078	28DEC2018	JA	DM
	A2	REVISED PER PCN E-19-009195	11JUN2019	JA	IG



SCALE 1:2



1.52±0.25
[.060±.010]
MEASURED 6.35±0.64
[.250±.025]
FROM OPEN END

4 SMALL MATERIAL EXTENSION IS ACCEPTABLE ON THIS END ALL AROUND.

3. THIS ACCESSORY PART IS PROVIDED WITHOUT TYPICAL TRANSPORTATION INDUSTRY PROCESS CONTROLS. NO VALIDATION TESTING HAS BEEN PERFORMED. CUSTOMER IS RESPONSIBLE FOR DETERMINING PRODUCT PERFORMANCE AND SUITABILITY FOR APPLICATION.
2. TEMPERATURE RATING: -29°C TO +100°C [-20°F TO +212°F].
1. THIS PART IS USED ON DT04-12PX (X=A,B,C,D KEYS) RECEPTACLE WITH ANY MODIFICATION THAT DOES NOT INCLUDE AN END CAP.

NOTES:

TE INTERNAL PN	DEUTSCH PN
DT12S-BT-EN	DT12S-BT-EN

2018
 RELEASED FOR PUBLICATION
 ALL RIGHTS RESERVED.
 BY TE CONNECTIVITY
 COPYRIGHT 2014
 THIS DRAWING IS UNPUBLISHED.

DIMENSIONS:	
mm	[INCHES]
TOLERANCES UNLESS OTHERWISE SPECIFIED:	
0 PLC	±
1 PLC	±
2 PLC	±
3 PLC	±0.63 [0.025]
4 PLC	±
ANGLES	±0° 30' 0"

DWN	27JUN2014
D.MEYER	
CHK	27JUN2014
R.MESSENGER	
APVD	27JUN2014
D.MEYER	
PRODUCT SPEC	
APPLICATION SPEC	
WEIGHT	17.50 g

MATERIAL	PVC	FINISH	GRAY
TE Connectivity			
NAME			
BOOT, PLUG, 12 PIN			
DT SERIES			
SIZE	CAGE CODE	DRAWING NO	RESTRICTED TO
A4	4AFU8	©-DT12S-BT-EN	-
CUSTOMER DRAWING		SCALE	1:1
		SHEET	1 OF 1
		REV	A2